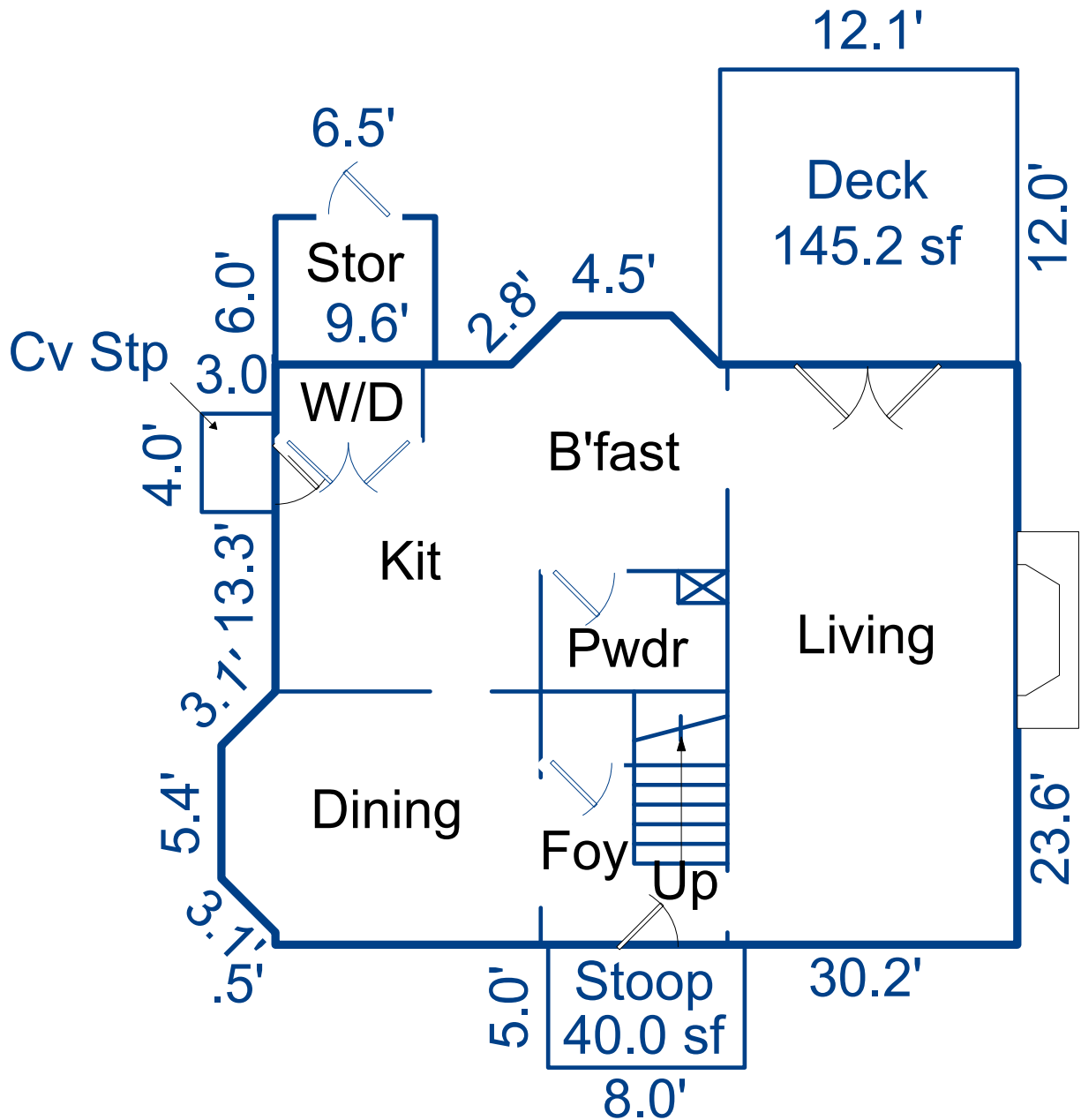


## Building Sketch (Page - 1)

Borrower				
Property Address 209 Old Fox Trl				
City	Durham	County	Durham	State NC Zip Code 27713
Lender/Client				



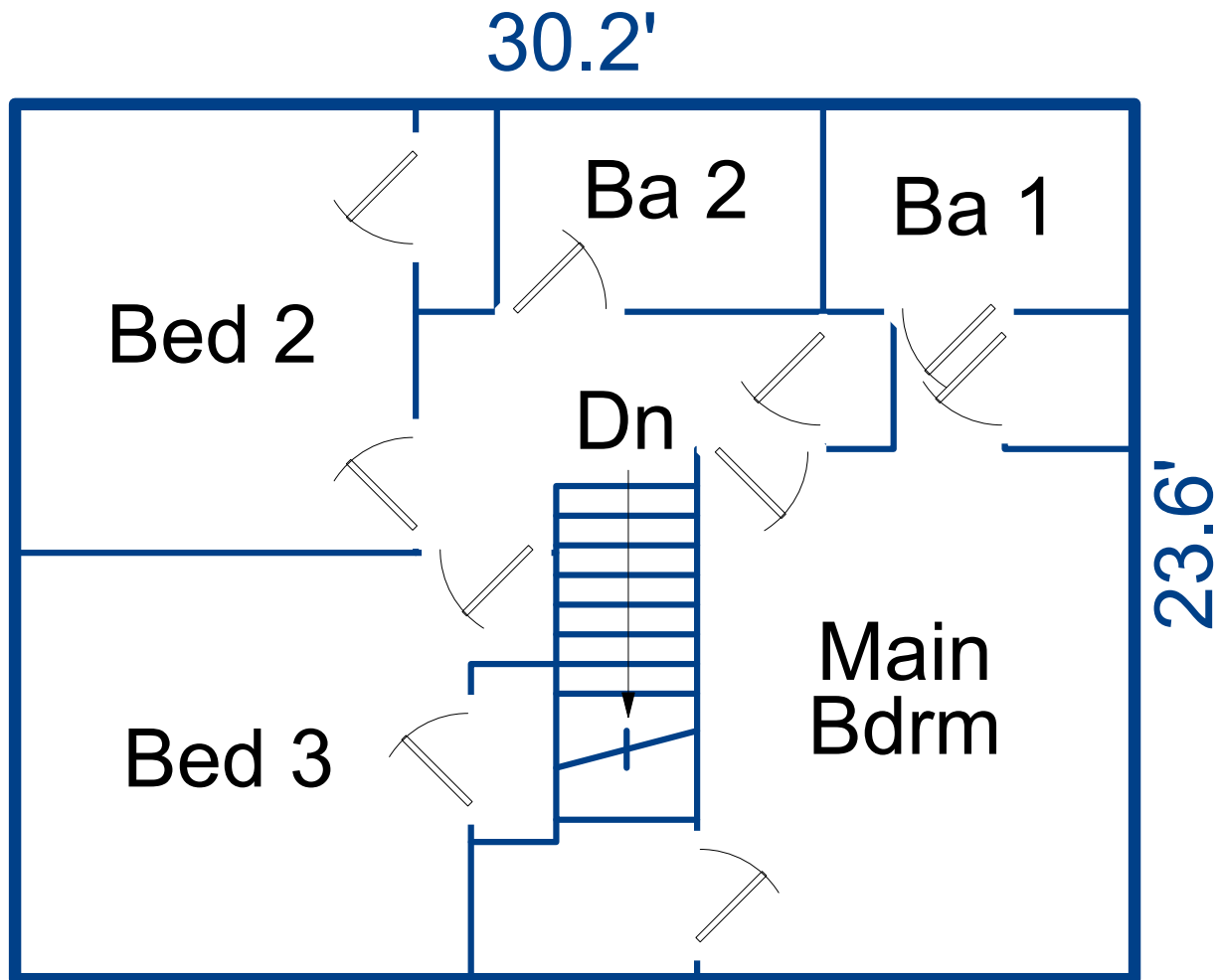
**Main Level**  
**742.4 sf**

Sketch by Apex Sketch

AREA CALCULATIONS SUMMARY						AREA CALCULATIONS BREAKDOWN				
Code	Description	Factor	Net Size	Perimeter	Net Totals	Name	Base x	Height x	Width =	Area
GLA1	Main Level	1.0	742.4	111.1	742.4	Main Level		23.1 x	18.1 =	418.1
OTH	Storage	1.0	39.0	25.0	39.0			5.4 x	2.2 =	11.9
P/P	Stoop	1.0	40.0	26.0			0.5 x	3.1 x	1.6 =	2.4
	Deck	1.0	145.2	48.2			0.5 x	3.1 x	1.6 =	2.4
	Cv Stp	1.0	12.0	14.0	197.2			4.5 x	2.0 =	9.0
								2.8 x	1.4 =	2.0
								2.8 x	1.4 =	2.0
								18.1 x	0.5 =	9.1
								23.6 x	12.1 =	285.6
	Net LIVABLE		(rounded)		742	9 total items			(rounded)	742

## Building Sketch (Page - 2)

Borrower				
Property Address 209 Old Fox Trl				
City	Durham	County	Durham	State NC Zip Code 27713
Lender/Client				



Second Floor  
712.7 sf

Sketch by Apex Sketch

AREA CALCULATIONS SUMMARY						AREA CALCULATIONS BREAKDOWN				
Code	Description	Factor	Net Size	Perimeter	Net Totals	Name	Base x	Height x	Width =	Area
GLA2	Second Floor	1.0	712.7	107.6	712.7	Second Floor	30.2 x	23.6 x	=	712.7
			Net LIVABLE	(rounded)	713	1 total items			(rounded)	713

© Starcap Marketing, LLC. dba Apex Software